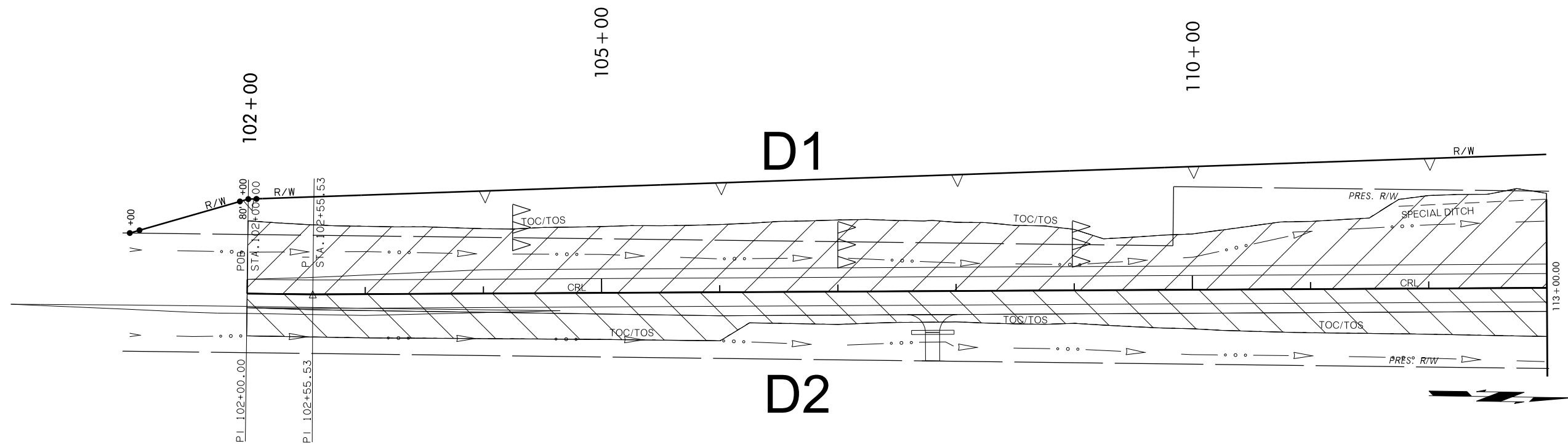


7/17/2017 p:\lapp-pws01-345-agency.OK\lcat\ODOT\Projects\Documents\Projects\Division 7\JP27968-04\Roadway\Plan Sheet\804-EROSION CONTROL DETAIL SHEET



SUMMARY OF DISTURBED AREAS			
DRAINAGE AREA NUMBER	STATION	AREA	EROSION CONTROL TREATMENT
		ACRES	
D1	115+00	2.70	SILT DIKES, SODDING, VEGETATIVE MULCH, TEMPORARY SEEDING.
D2	115+00	1.46	SILT DIKES, SODDING, VEGETATIVE MULCH, TEMPORARY SEEDING.
D3	118+50	0.28	SILT DIKES, SODDING, VEGETATIVE MULCH, TEMPORARY SEEDING.
D4	118+50	0.15	SILT DIKES, SODDING, VEGETATIVE MULCH, TEMPORARY SEEDING.
D5	126+00	2.60	SILT DIKES, SODDING, VEGETATIVE MULCH, TEMPORARY SEEDING.
D6	128+00	0.58	SILT DIKES, SODDING, VEGETATIVE MULCH, TEMPORARY SEEDING.
D7	128+25	0.90	SILT DIKES, SODDING, VEGETATIVE MULCH, TEMPORARY SEEDING.
	TOTAL	8.67	

LEGEND	
SILT DIKES	▲▲▲
SILT FENCE	XXXXX

DESIGN		OKLAHOMA DEPARTMENT OF TRANSPORTATION ROADWAY DESIGN DIVISION
DRAWN		
CHECKED		
APPROVED		
SQUAD	GREEN	
COUNTY		COMANCHE
HIGHWAY		US-277
STATE JOB NO.		27968(04)
SHEET NO.		R002

EROSION CONTROL DETAIL